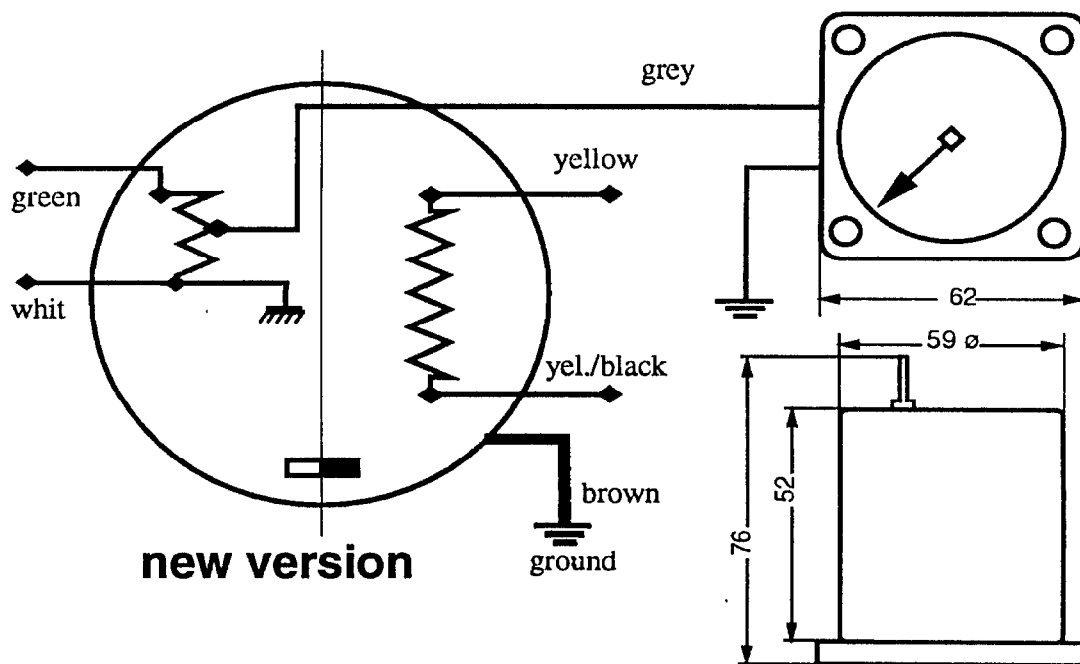
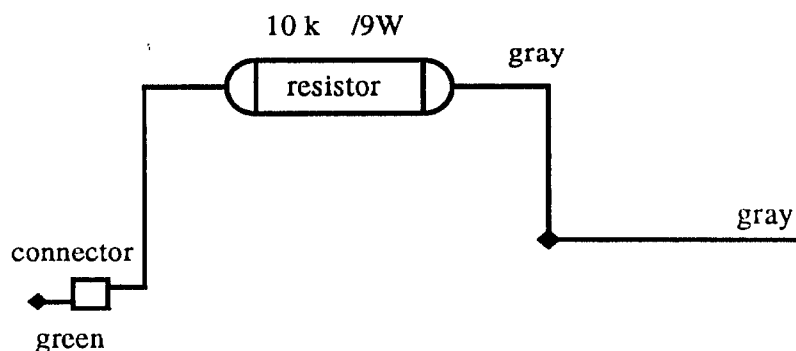




## Revolution counter for ROTAX 447 SCDI

This information refers only to ROTAX 447 UL engines with electronic SCDI (single capacitor discharge) ignition. With introduction of magneto generator (ROTAX part no. 996 833) as of engine no. 3,910.411 no additional resistor is necessary for operation of the electronic tachometer (ROTAX part no. 966 074). The tachometer is connected directly to the gray cable.

This Service Information makes Service Information 7 UL 91-E for Type 447 UL SCDI void.



◆ Note: As shown in the wiring diagram, no additional external current supply is necessary. Never connect the tachometer directly to an ignition circuit or to the lighting coil, but only to the central tapping wire (gray) of the charging coil.